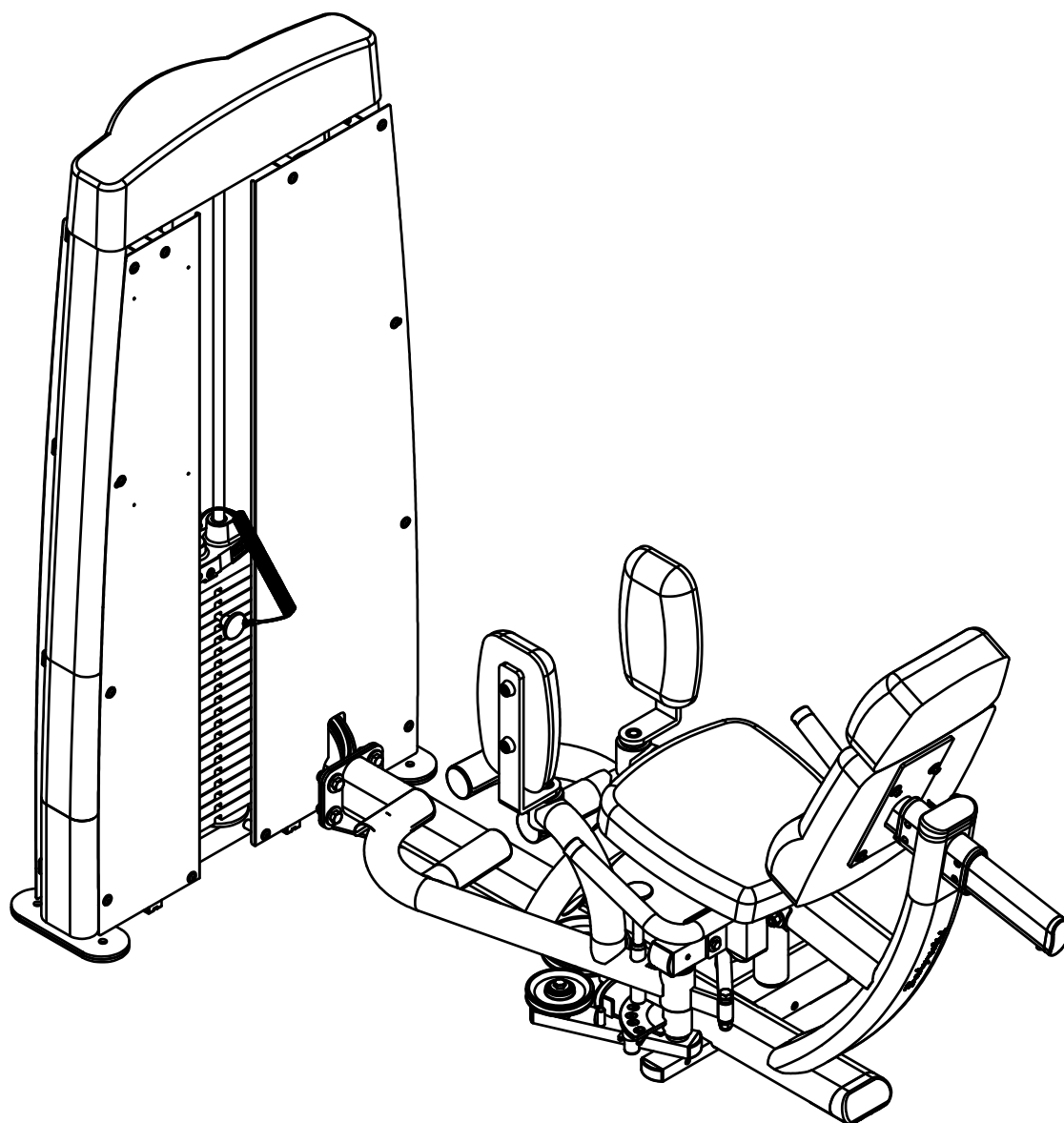


DIOT.2 OWNER'S MANUAL

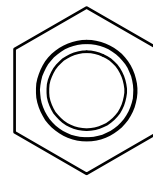
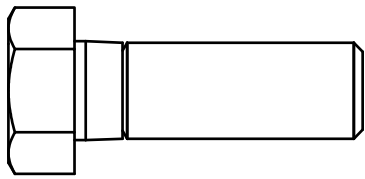


Архангельск (8182)63-90-72	Ижевск (3412)26-03-58	Магнитогорск (3519)55-03-13	Пермь (342)205-81-47	Сургут (3462)77-98-35
Астана (7172)727-132	Иркутск (395)279-98-46	Москва (495)268-04-70	Ростов-на-Дону (863)308-18-15	Тверь (4822)63-31-35
Астрахань (8512)99-46-04	Казань (843)206-01-48	Мурманск (8152)59-64-93	Рязань (4912)46-61-64	Томск (3822)98-41-53
Барнаул (3852)73-04-60	Калининград (4012)72-03-81	Набережные Челны (8552)20-53-41	Самара (846)206-03-16	Тула (4872)74-02-29
Белгород (4722)40-23-64	Калуга (4842)92-23-67	Нижний Новгород (831)429-08-12	Санкт-Петербург (812)309-46-40	Тюмень (3452)66-21-18
Брянск (4832)59-03-52	Кемерово (3842)65-04-62	Новокузнецк (3843)20-46-81	Саратов (845)249-38-78	Ульяновск (8422)24-23-59
Владивосток (423)249-28-31	Киров (8332)68-02-04	Новосибирск (383)227-86-73	Севастополь (8692)22-31-93	Уфа (347)229-48-12
Волгоград (844)278-03-48	Краснодар (861)203-40-90	Омск (3812)21-46-40	Симферополь (3652)67-13-56	Хабаровск (4212)92-98-04
Вологда (8172)26-41-59	Красноярск (391)204-63-61	Орел (4862)44-53-42	Смоленск (4812)29-41-54	Челябинск (351)202-03-61
Воронеж (473)204-51-73	Курск (4712)77-13-04	Оренбург (3532)37-68-04	Сочи (862)225-72-31	Череповец (8202)49-02-64
Екатеринбург (343)384-55-89	Липецк (4742)52-20-81	Пенза (8412)22-31-16	Ставрополь (8652)20-65-13	Ярославль (4852)69-52-93
Иваново (4932)77-34-06	Киргизия (996)312-96-26-47	Казахстан (772)734-952-31	Таджикистан (992)427-82-92-69	

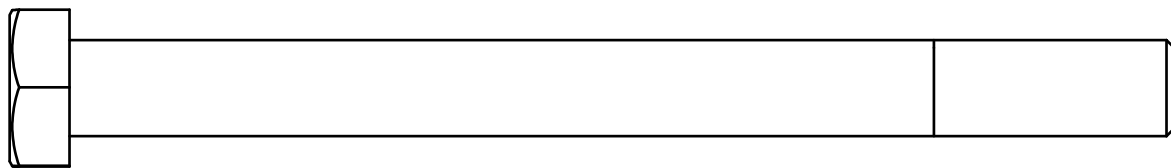
Единый адрес для всех регионов: bda@nt-rt.ru || www.bodysolid.nt-rt.ru

DIOT ASSEMBLY INSTRUCTIONS

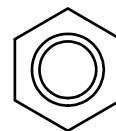
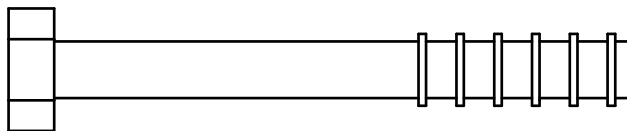
HARDWARE ILLUSTRATION



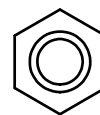
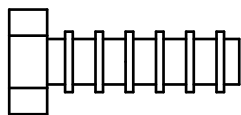
(A1)HEX BOLT 1/2"x1 1/2"L PARTIAL THREAD QTY.4



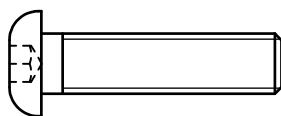
(A2)HEX BOLT 1/2"x5 3/4"L PARTIAL THREAD QTY.2



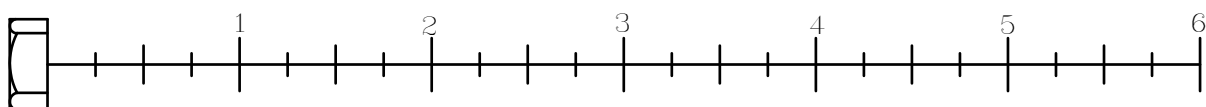
(A3)HEX BOLT 3/8"x3"L PARTIAL THREAD QTY.2



(A4)HEX BOLT 5/16"x1"L PARTIAL THREAD QTY.4

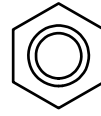
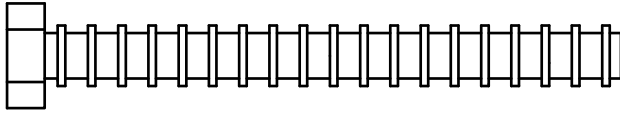


(A5)ROUND ALLEN HEAD 5/16"x1 1/4"L PARTIAL THREAD QTY.4

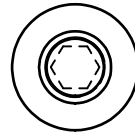
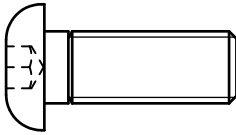


DIOT ASSEMBLY INSTRUCTIONS

HARDWARE ILLUSTRATION



(A7)HEX BOLT 5/16"x3"L PARTIAL THREAD QTY.2

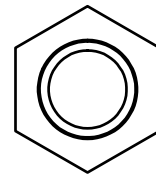
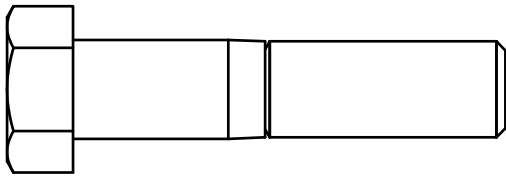


(A19)HEX BOLT 3/8"x1"L PARTIAL THREAD QTY.1

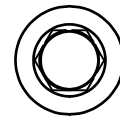
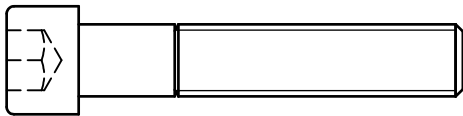


DIOT ASSEMBLY INSTRUCTIONS

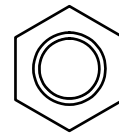
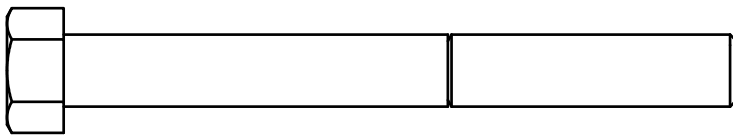
FRAME HARDWARE ILLUSTRATION



(A9)HEX BOLT 1/2"x2 1/4"L PARTIAL THREAD QTY.4



(A11)ROUND ALLEN HEAD 3/8"x2"L PARTIAL THREAD QTY.1

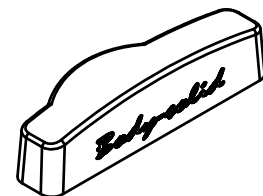


(A12)HEX BOLT 3/8"x3 1/2"L PARTIAL THREAD QTY.1

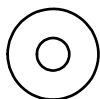
Optional Purchase



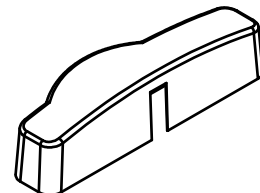
(A10)HEX BOLT M4X65L PARTIAL THREAD QTY.2



TOP CAP(9211-111)

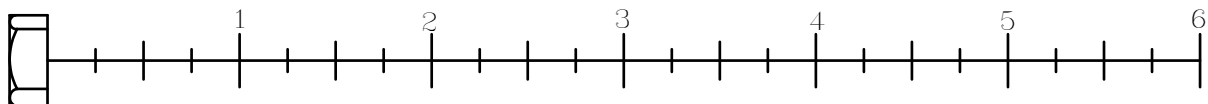


(C12)M4(I.D.)FLAT WASHER Ø12 QTY.2



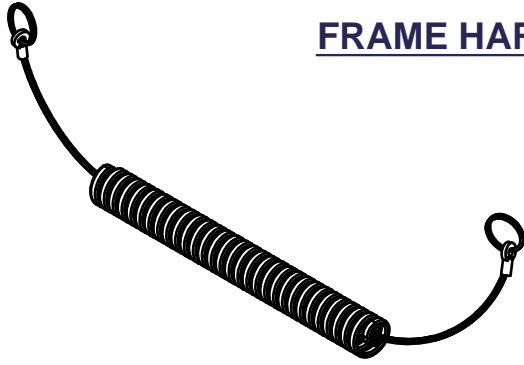
TOP CAP(9211-119)

"M4X65L HEX BOLT" and "M4 WASHER" is used to assemble with 9211-111 and 9211-119 TOP CAP

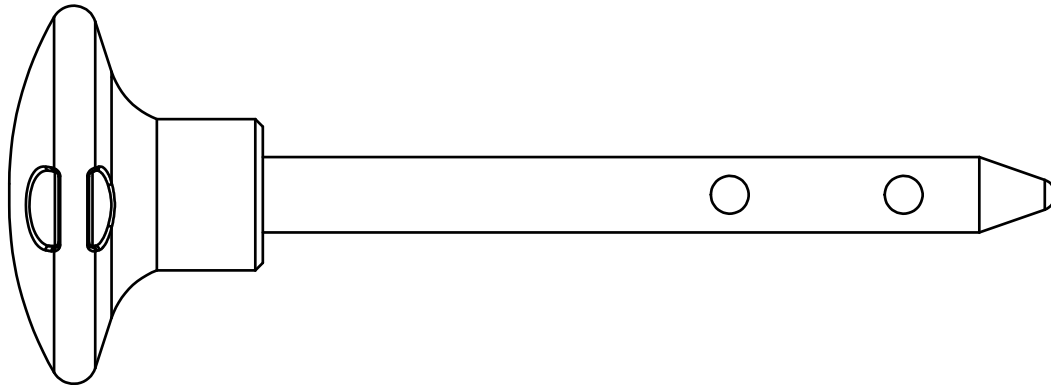


DIOT ASSEMBLY INSTRUCTIONS

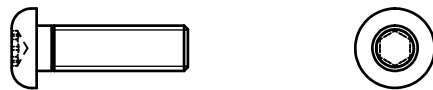
FRAME HARDWARE ILLUSTRATION



(A13)ELASTIC BOLT QTY.1



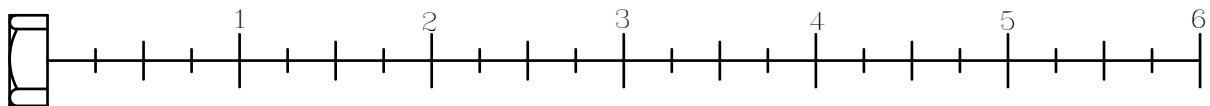
(A14)10LB PIN (8250-071) QTY.1



(A16)ROUND ALLEN HEAD M6X20L PARTIAL THREAD QTY.20

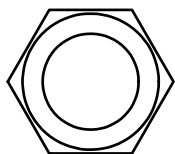


(A17)ROUND ALLEN HEAD 5/32"X1/4"L PARTIAL THREAD QTY.4

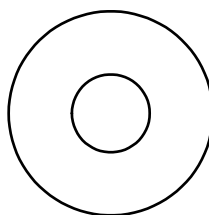
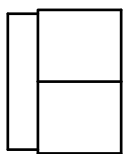


DIOT ASSEMBLY INSTRUCTIONS

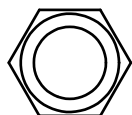
HARDWARE ILLUSTRATION



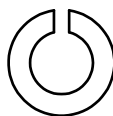
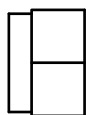
(B1) NYLON LOCK NUT 1/2" QTY.6



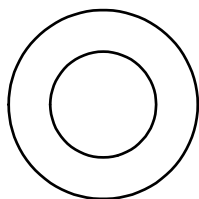
(C3) 3/8"(I.D.) FLAT WASHER \varnothing 27 QTY.6



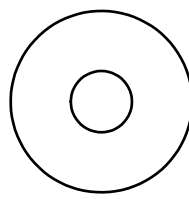
(B2) NYLON LOCK NUT 3/8" QTY.3



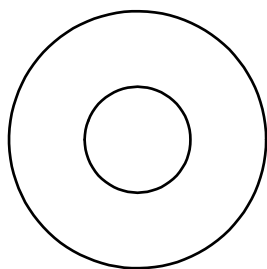
(C4) 5/16" SPRING WASHER QTY.6



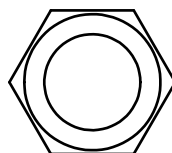
(C1) 1/2"(I.D.) FLAT WASHER \varnothing 25 QTY.10



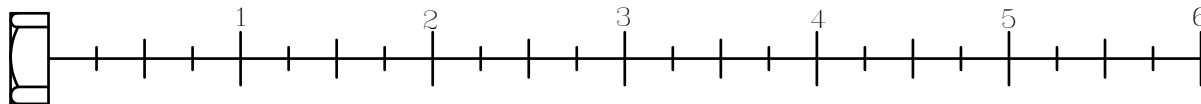
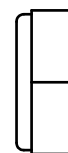
(C6) 5/16"(I.D.) FLAT WASHER \varnothing 24 QTY.6



(C2) 1/2"(I.D.) FLAT WASHER \varnothing 34 QTY.4

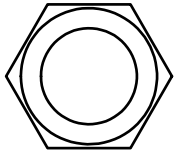


(B7) NYLON LOCK NUT 1/2"X8H QTY.2

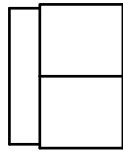


DIOT ASSEMBLY INSTRUCTIONS

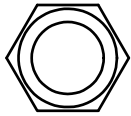
FRAME HARDWARE ILLUSTRATION



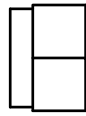
(B5)NYLON LOCK NUT 1/2" QTY.4



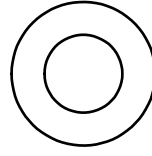
(B6)NYLON LOCK NUT 3/8" QTY.1



(C8)1/2"(I.D.)FLAT WASHER Ø34 QTY.6



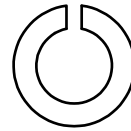
(C9)3/8"(I.D.)FLAT WASHER Ø19 QTY.2



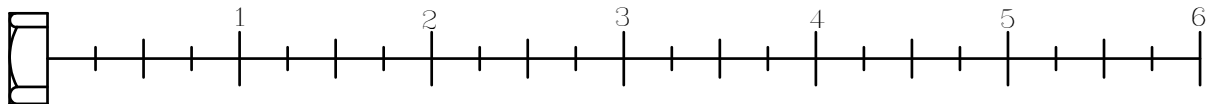
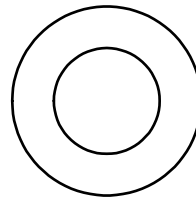
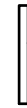
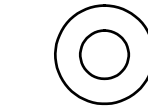
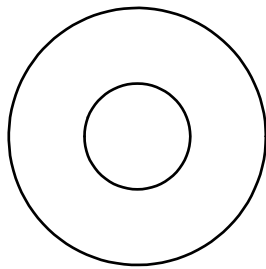
(C10)3/8" SPRING WASHER QTY.1



(C11)M6(I.D.)FLAT WASHER Ø13 QTY.20

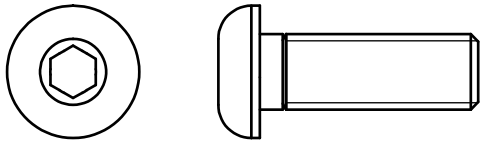


(C13)1/2"(I.D.)FLAT WASHER Ø25 QTY.2

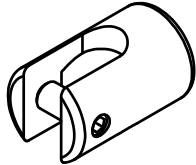


DIOT ASSEMBLY INSTRUCTIONS

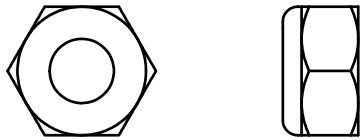
Selector Rod HARDWARE ILLUSTRATION



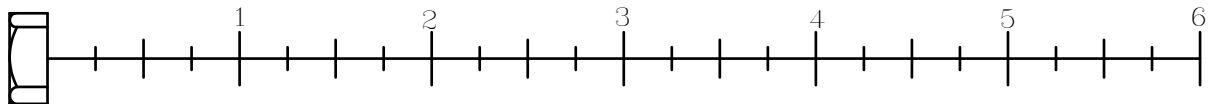
(A20)ROUND ALLEN HEAD M10X30L PARTIAL THREAD QTY.1



(A21)FIRM SHEATH(8890-046) QTY.1



(B8)NYLON LOCK NUT M10 QTY.1



DIOT ASSEMBLY INSTRUCTIONS

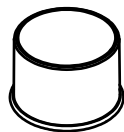
HARDWARE ILLUSTRATION

D2.Ø1" CU WASHER (8520-008)-----	[7PCS]
D3.Ø60 END CAP (9211-065)-----	[4PCS]
D4.1"X2" END CAP (9211-086)-----	[3PCS]
D5.2"X2" END CAP (9211-087)-----	[3PCS]
D6.50X100(40X80)NYLON BUSHING(9211-107)-----	[2PCS]
D7.58X116X2.5T FOOT CAP(9211-109)-----	[2PCS]
D8.58X116 END CAP(9211-112)-----	[2PCS]
D9.40X80 END CAP(9211-113)-----	[1PCS]
D10.RUBBER BOLT HEAD PROTECTOR 5/16"(9214-030)---	[4PCS]
D11.95X140L RUBBER PAD(9310-035)-----	[2PCS]
D12.Ø3/4" SHAFT COLLAR(9211-046)-----	[2PCS]
D13.Ø4" RUBBER DOUNT(9310-017)-----	[2PCS]
D14.95X250 RUBBER PAD(9310-060)-----	[2PCS]
D15.Ø6" PULLEY(9213-009A)-----	[1PCS]
D16.Ø117 PULLEY(9213-010B)-----	[5PCS]

D2



D3



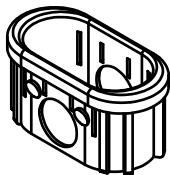
D4



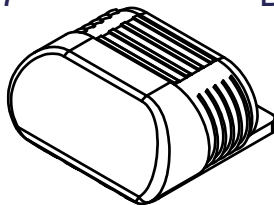
D5



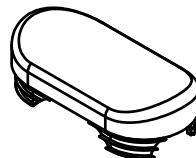
D6



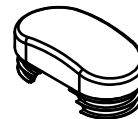
D7



D8



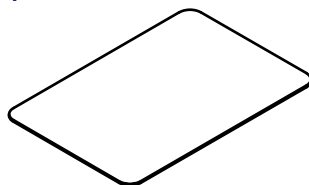
D9



D10



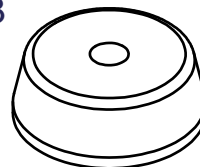
D11



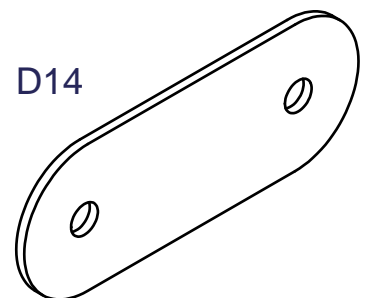
D12



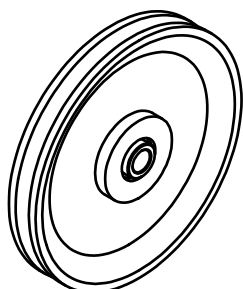
D13



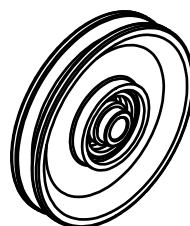
D14



D15



D16

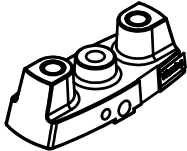


DIOT ASSEMBLY INSTRUCTIONS

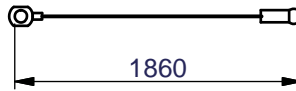
HARDWARE ILLUSTRATION

D18.TOP PLATE(8400-006)-----	[1PCS]
D19.1860mm STEEL CABLE(FDIOTA)-----	[1PCS]
D20.2220mm STEEL CABLE(FDIOTB)-----	[1PCS]
D21.DIOT For DGYM Steel Cable(FDIOTC)-----	[1PCS]
D22.WEIGHT SELECTOR BAR(8210-042B)-----	[1PCS]

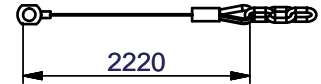
D18



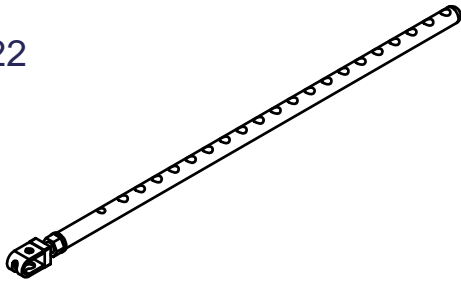
D19



D20

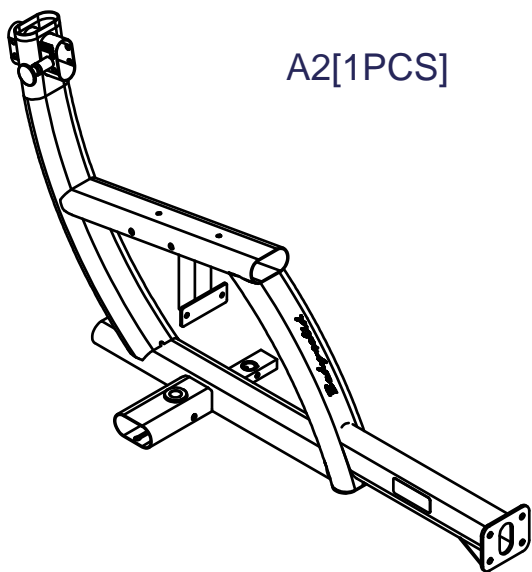


D22

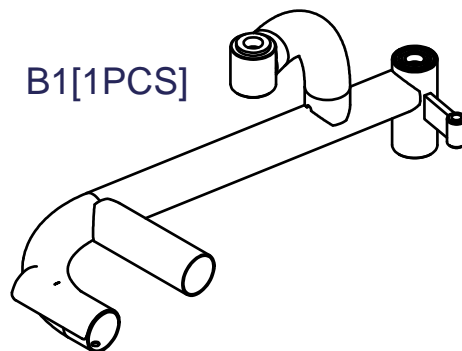


DIOT ASSEMBLY INSTRUCTIONS

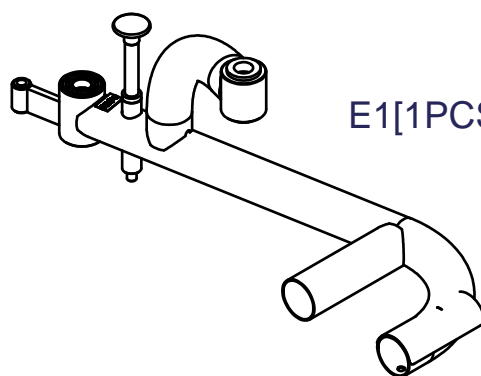
PARTS ILLUSTRATION SHEET



A2[1PCS]

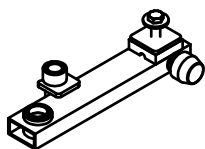


B1[1PCS]

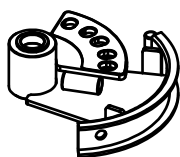


E1[1PCS]

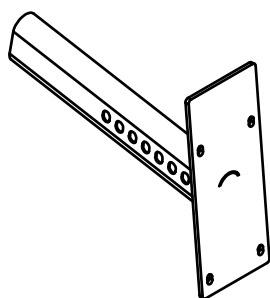
C[1PCS]



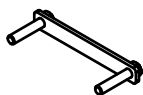
D2[1PCS]



F[1PCS]



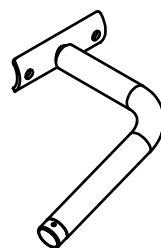
G[1PCS]



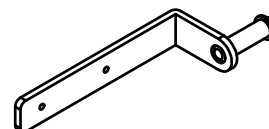
Direction



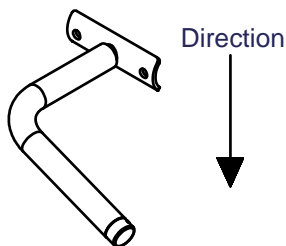
H[1PCS]



I1[2PCS]



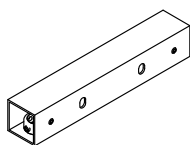
J[1PCS]



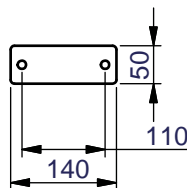
Direction



K[1PCS]



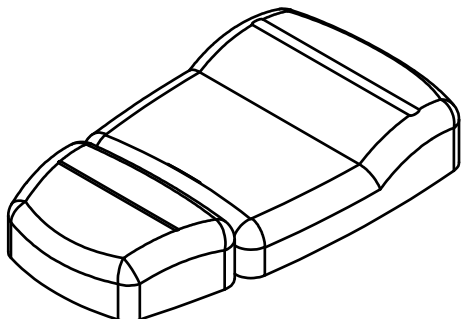
L[1PCS]
8312-090



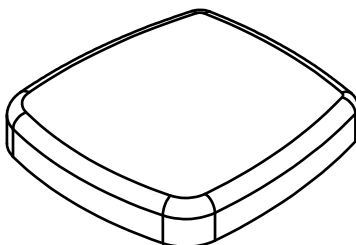
DIOT ASSEMBLY INSTRUCTIONS

PARTS ILLUSTRATION SHEET

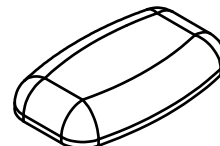
N[1PCS]
9111-055



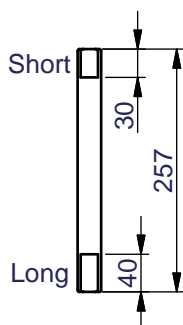
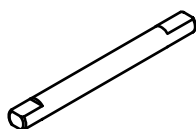
O[1PCS]
9121-052



P[2PCS]
9131-017



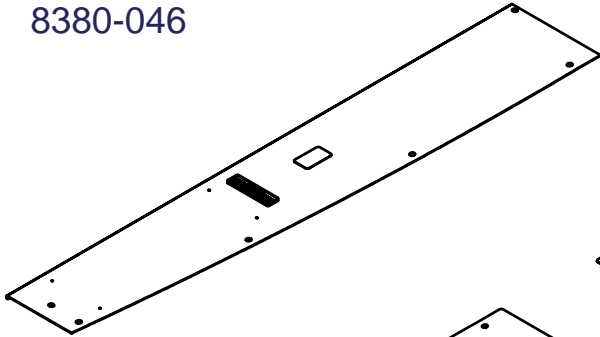
AC[2PCS]
8220-141
Ø25X257L



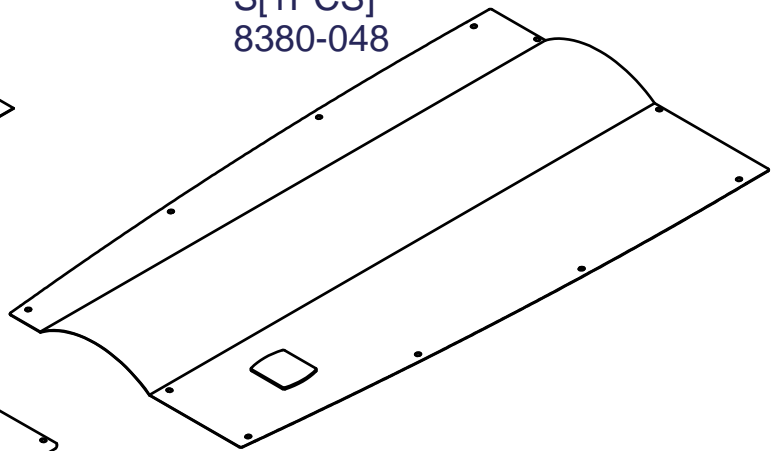
DIOT ASSEMBLY INSTRUCTIONS

FRAME PARTS ILLUSTRATION SHEET

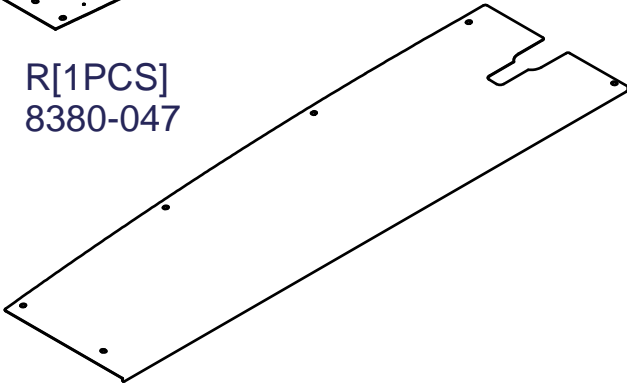
Q[1PCS]
8380-046



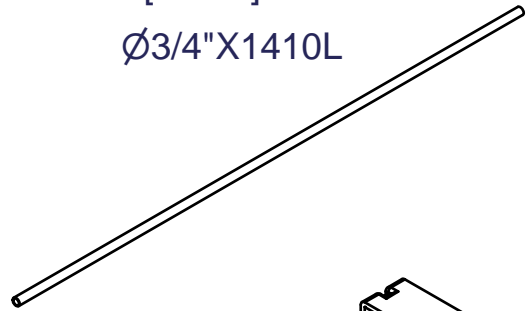
S[1PCS]
8380-048



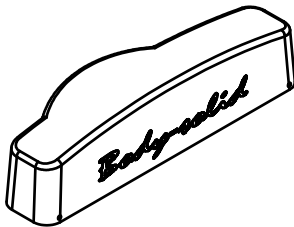
R[1PCS]
8380-047



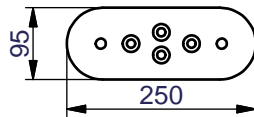
T[2PCS]
Ø3/4"X1410L



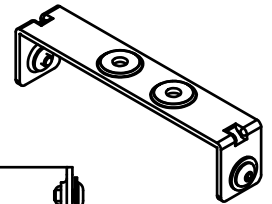
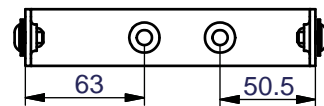
AD[1PCS]
9211-111A



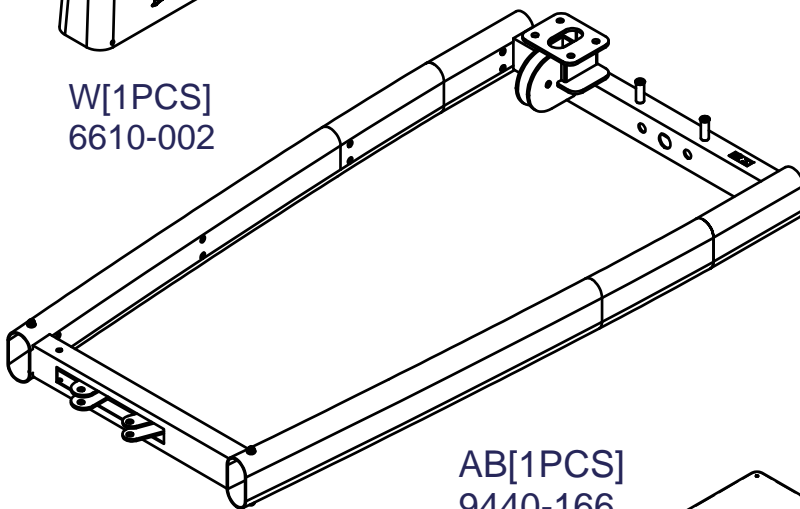
V[2PCS]
8313-144



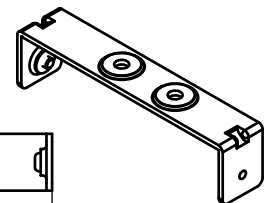
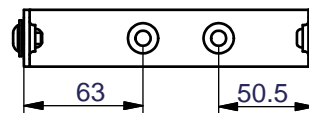
X[9PCS]
8321-040
both side



W[1PCS]
6610-002



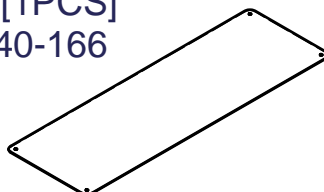
Y[1PCS]
8321-040
one side



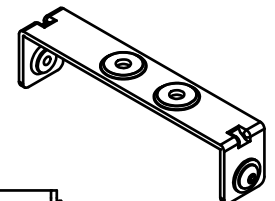
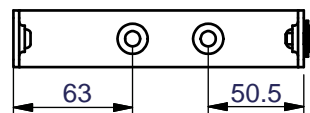
AA[1PCS]
6640-001



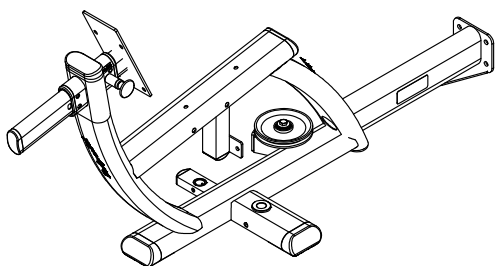
AB[1PCS]
9440-166



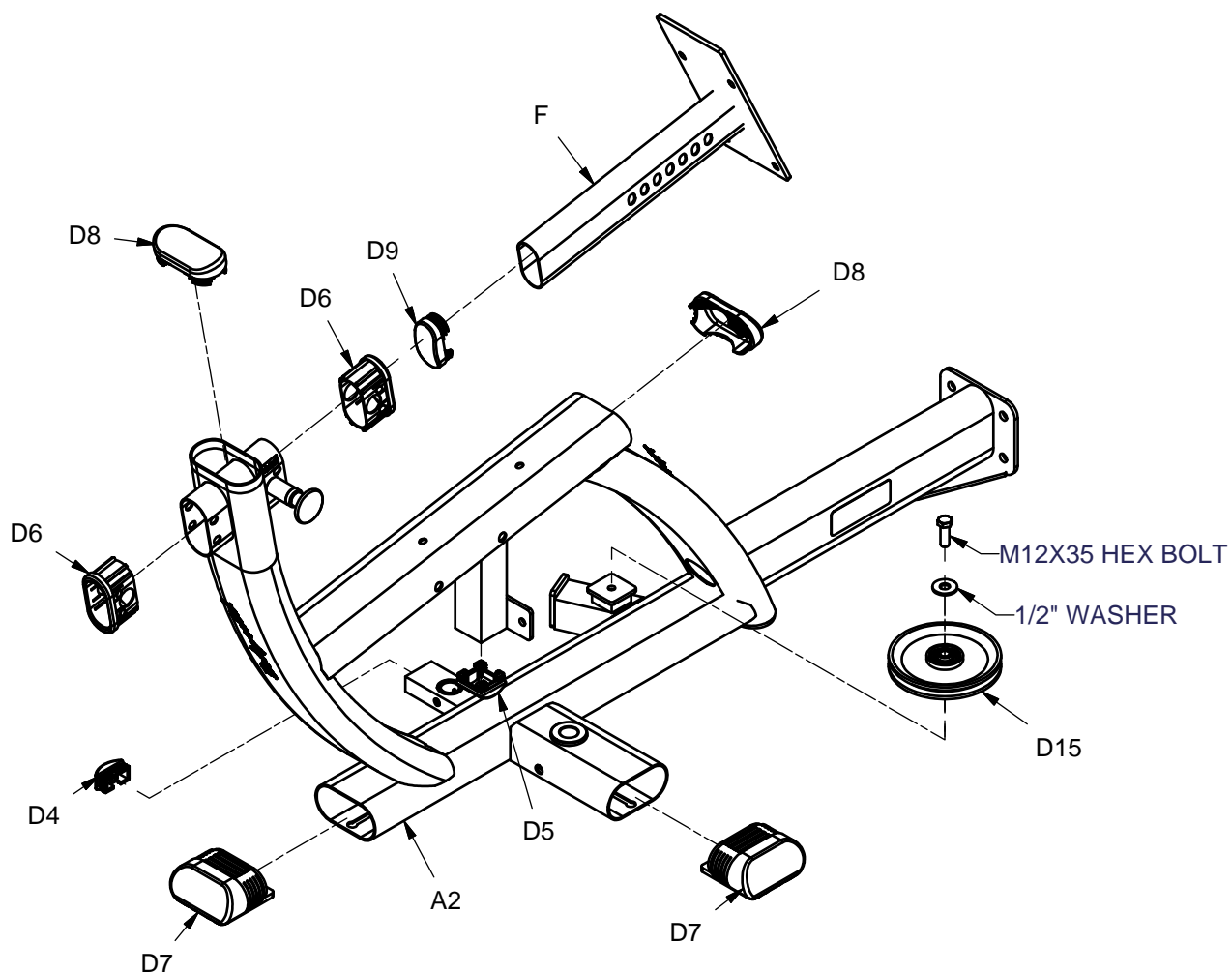
Z[2PCS]
8321-040
one side



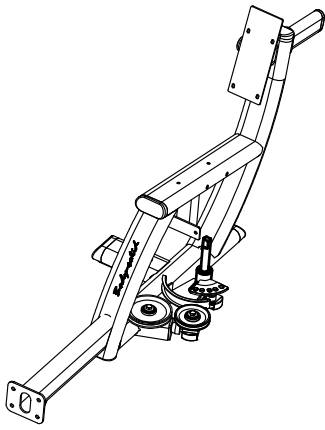
DIOT ASSEMBLY INSTRUCTIONS



Above shows STEP 1
assembled and completed

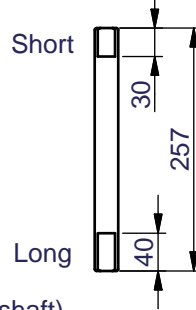


DIOT ASSEMBLY INSTRUCTIONS

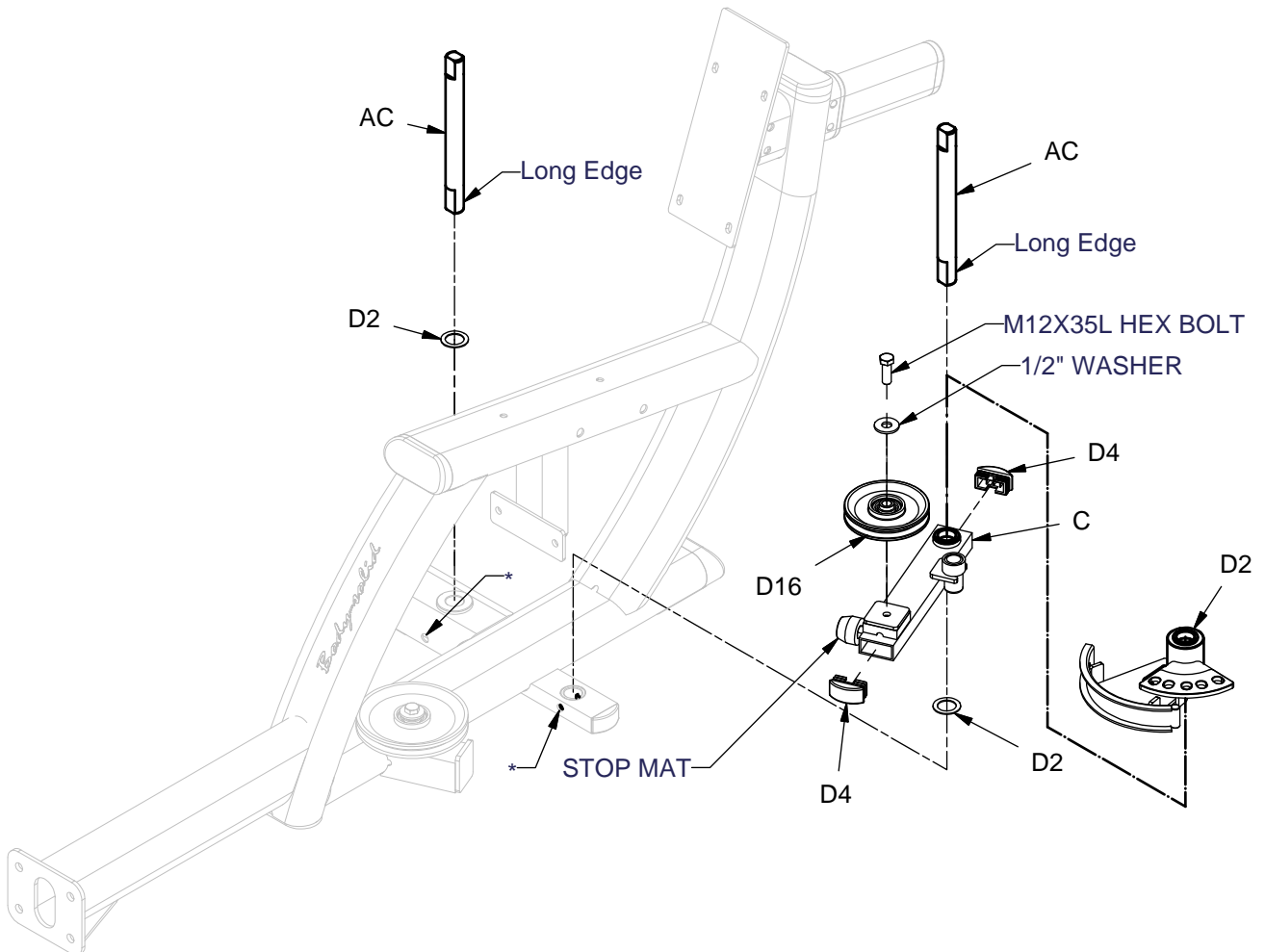


Above shows STEP 2
assembled and completed

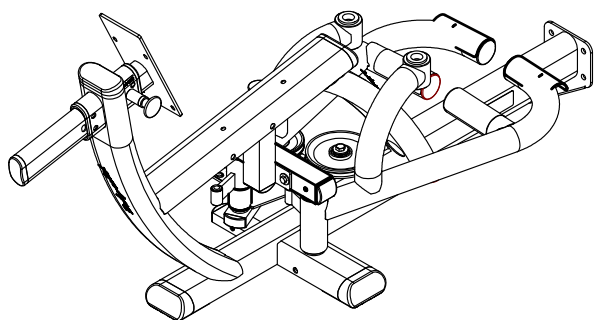
AC[2PCS]
8220-141
Ø25X257L



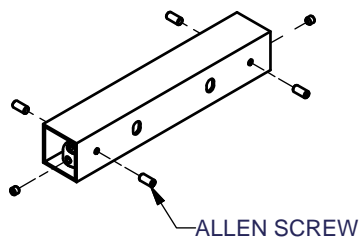
*: After installing the shaft (part AC), please tighten it(the shaft).



DIOT ASSEMBLY INSTRUCTIONS

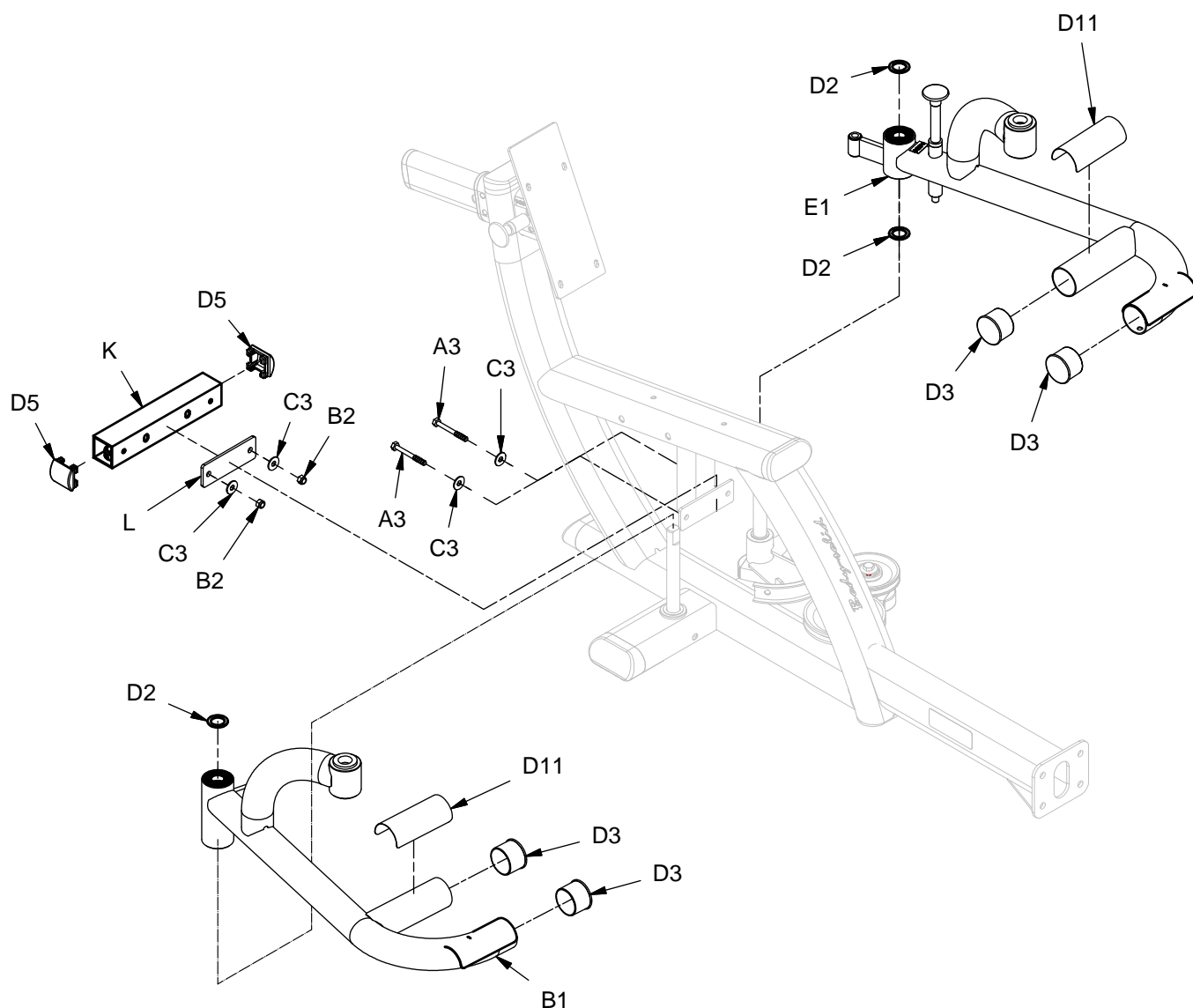


Above shows STEP 3
assembled and completed

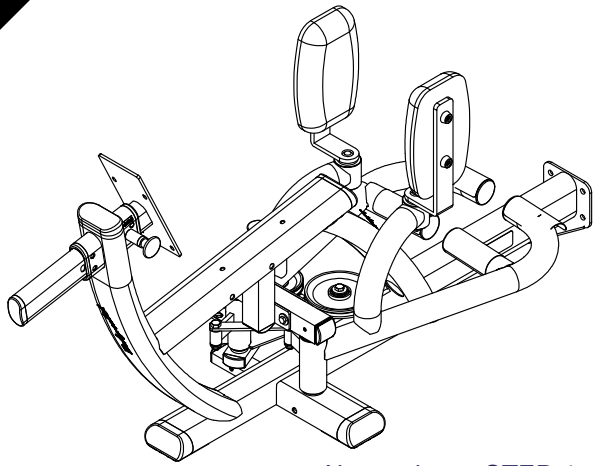


ALLEN SCREW

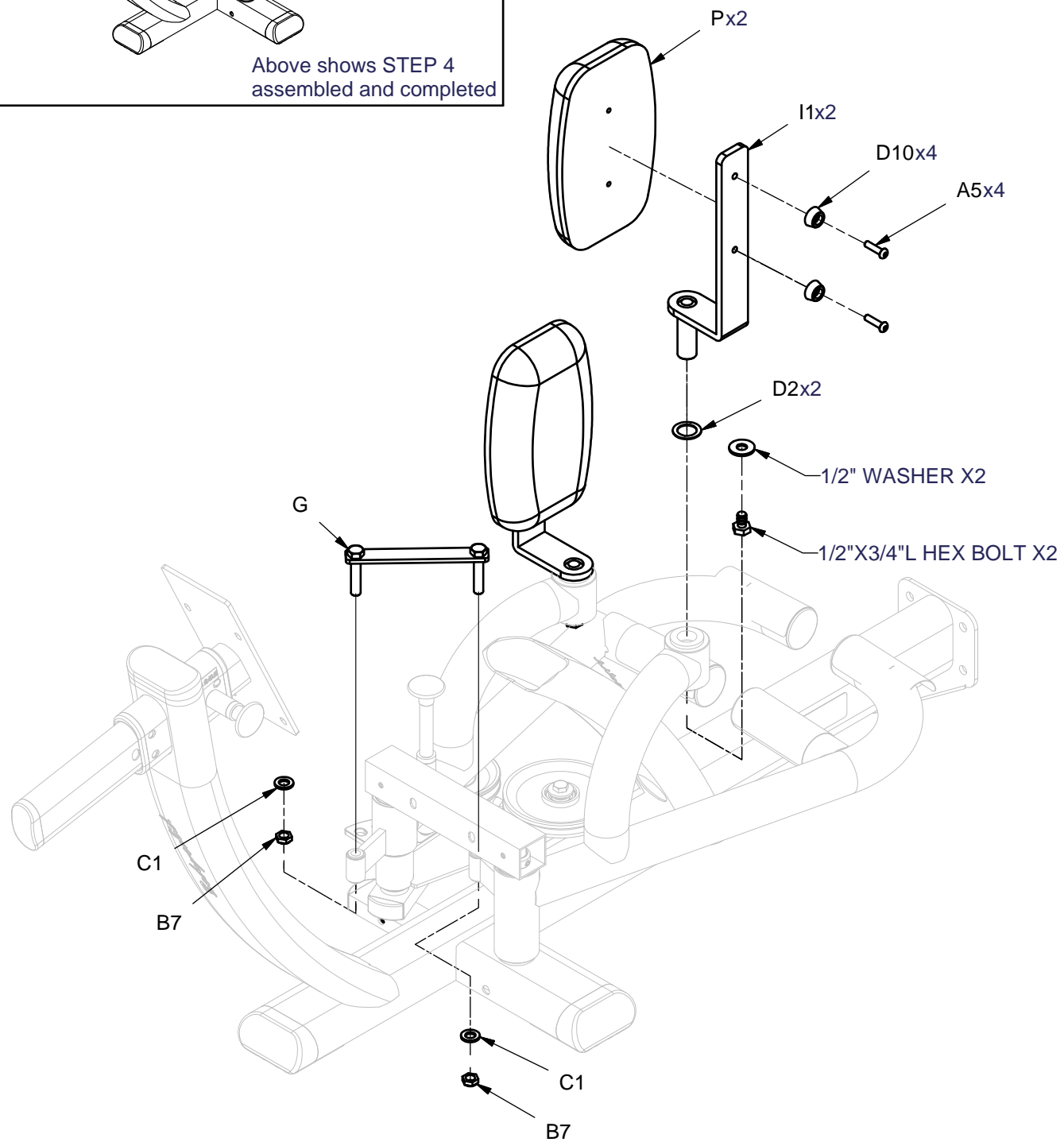
After installation,
the space between B1 and E1 can be adjusted by stop mat.



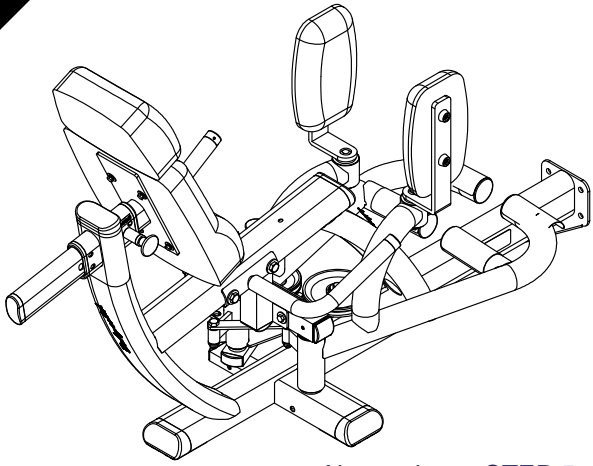
DIOT ASSEMBLY INSTRUCTIONS



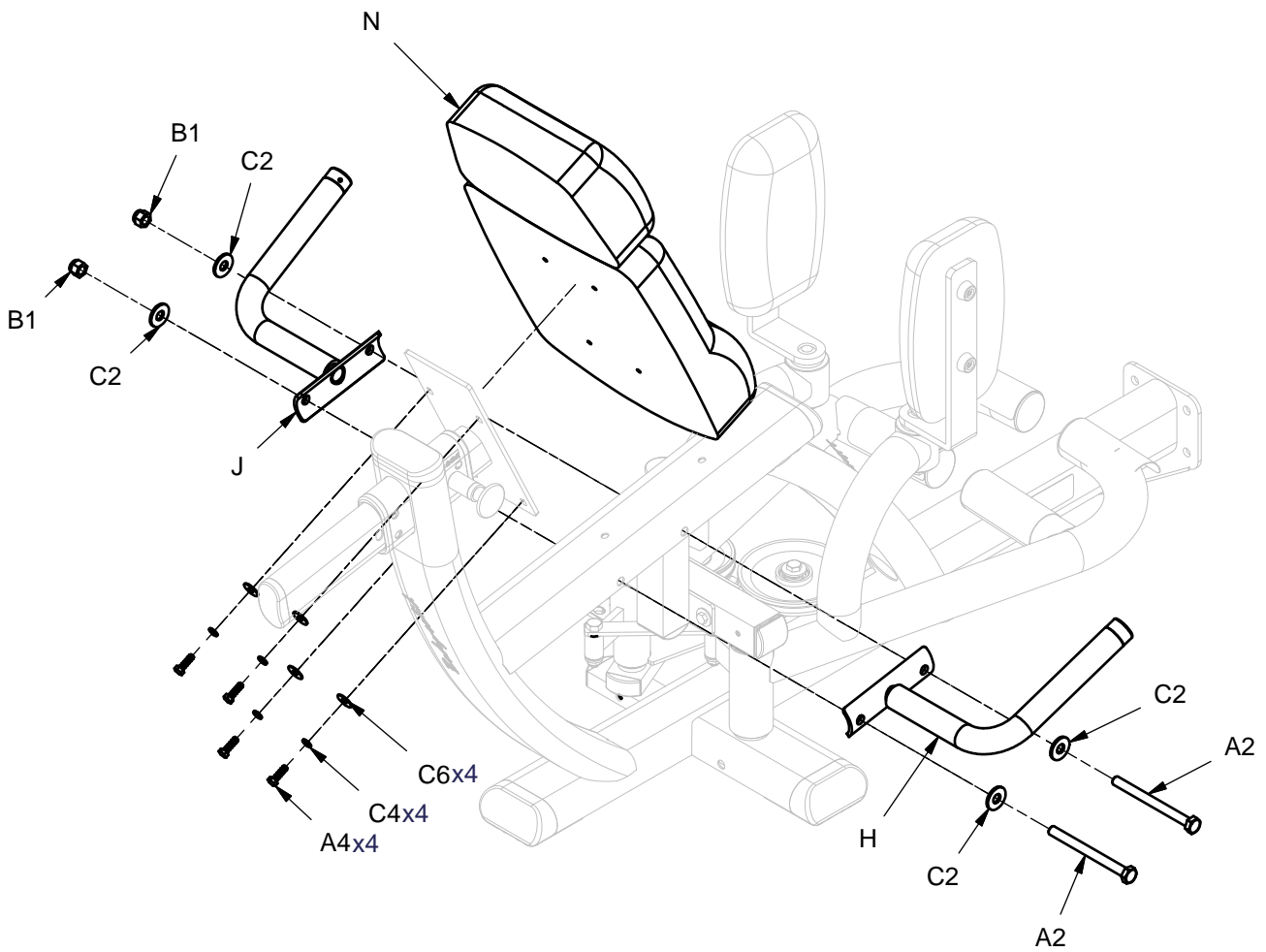
Above shows STEP 4 assembled and completed



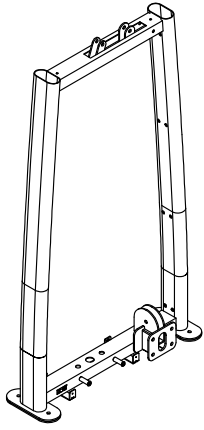
DIOT ASSEMBLY INSTRUCTIONS



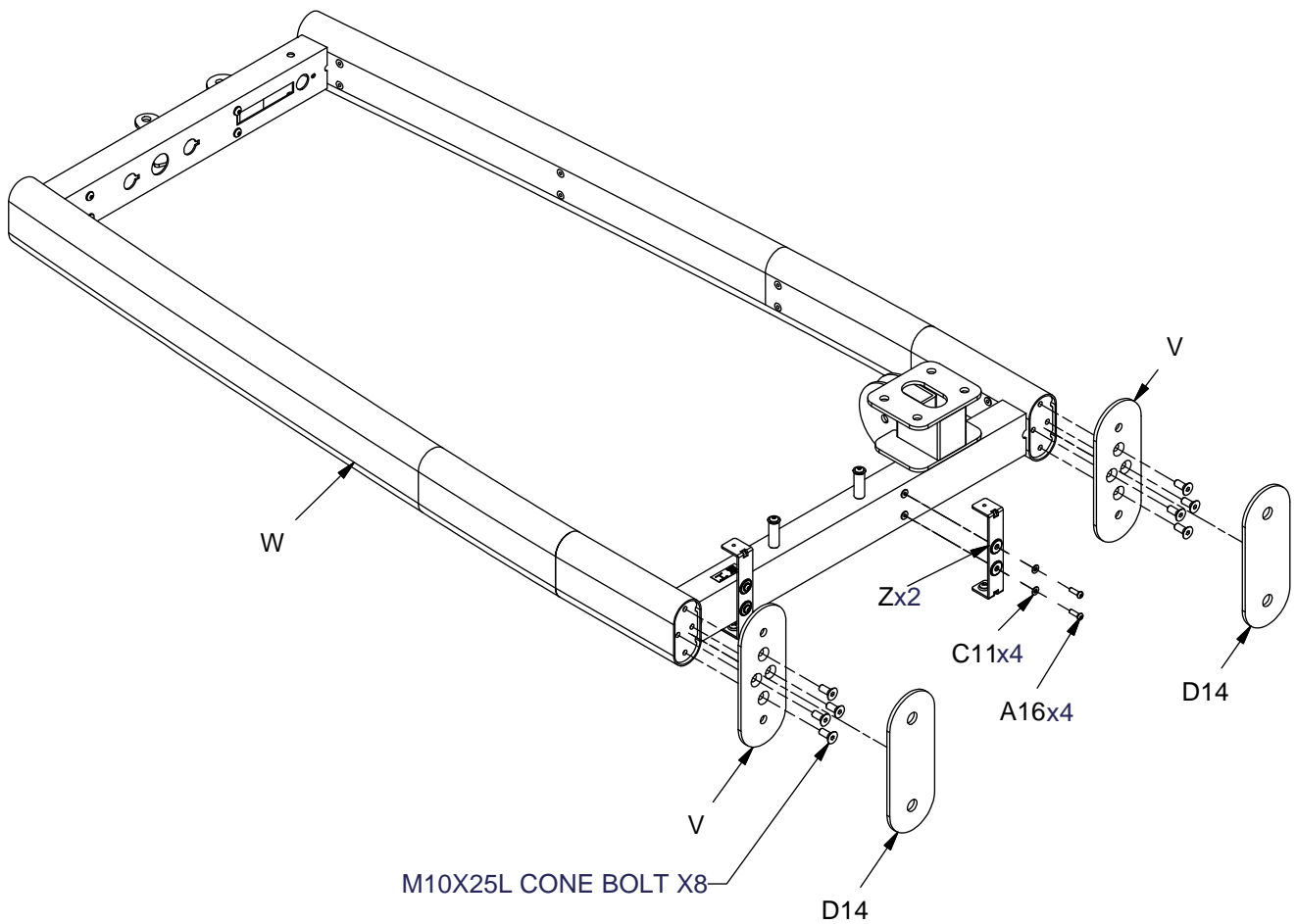
Above shows STEP 5
assembled and completed



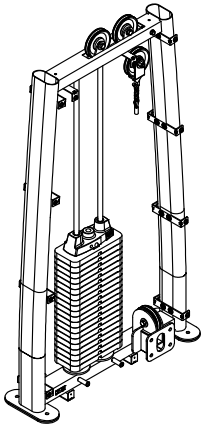
DIOT ASSEMBLY INSTRUCTIONS



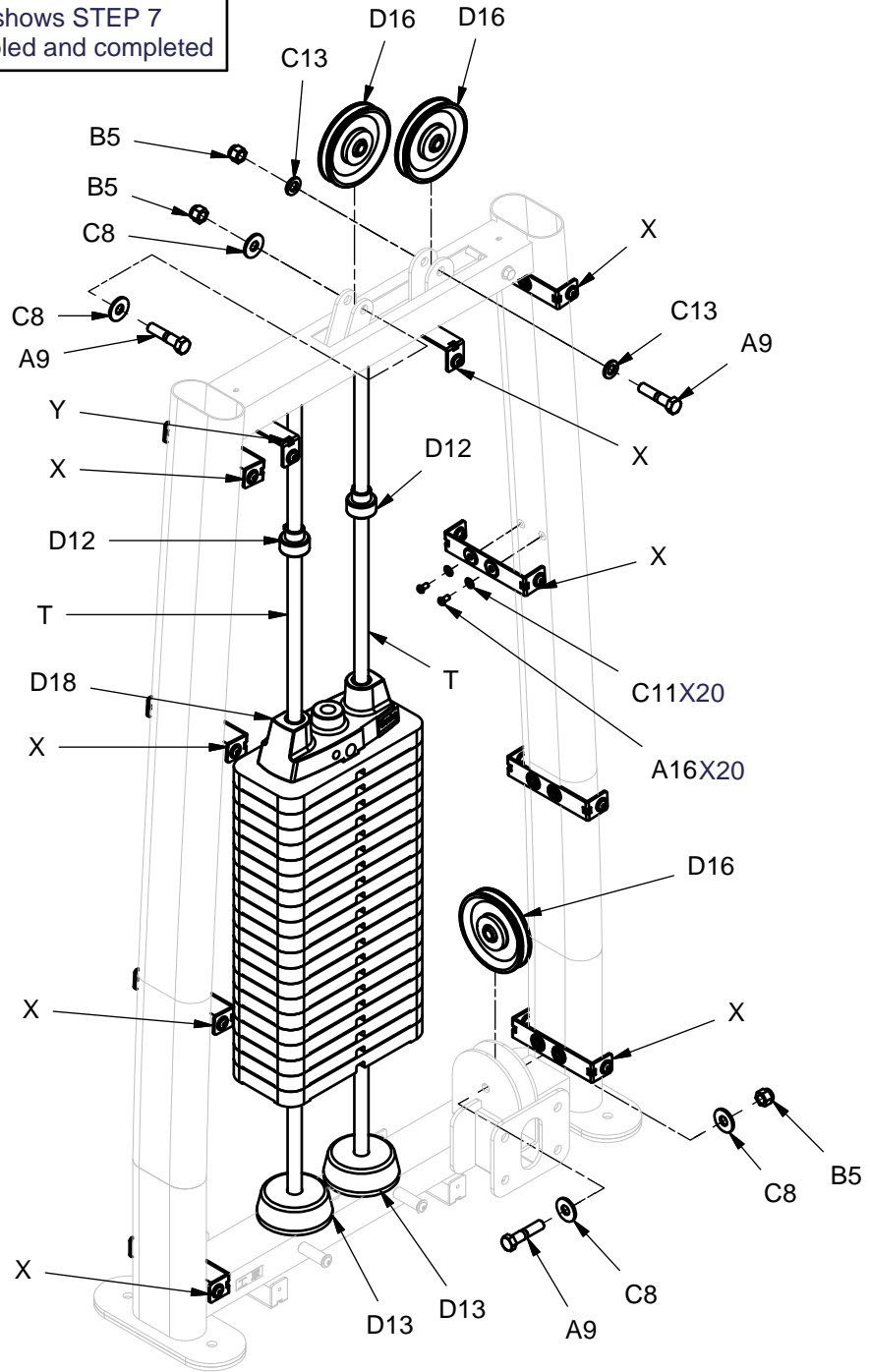
Above shows STEP 6
assembled and completed



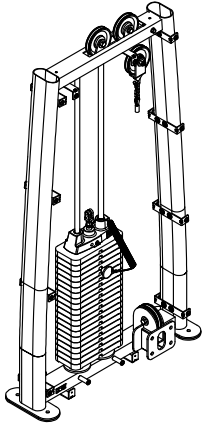
DIOT ASSEMBLY INSTRUCTIONS



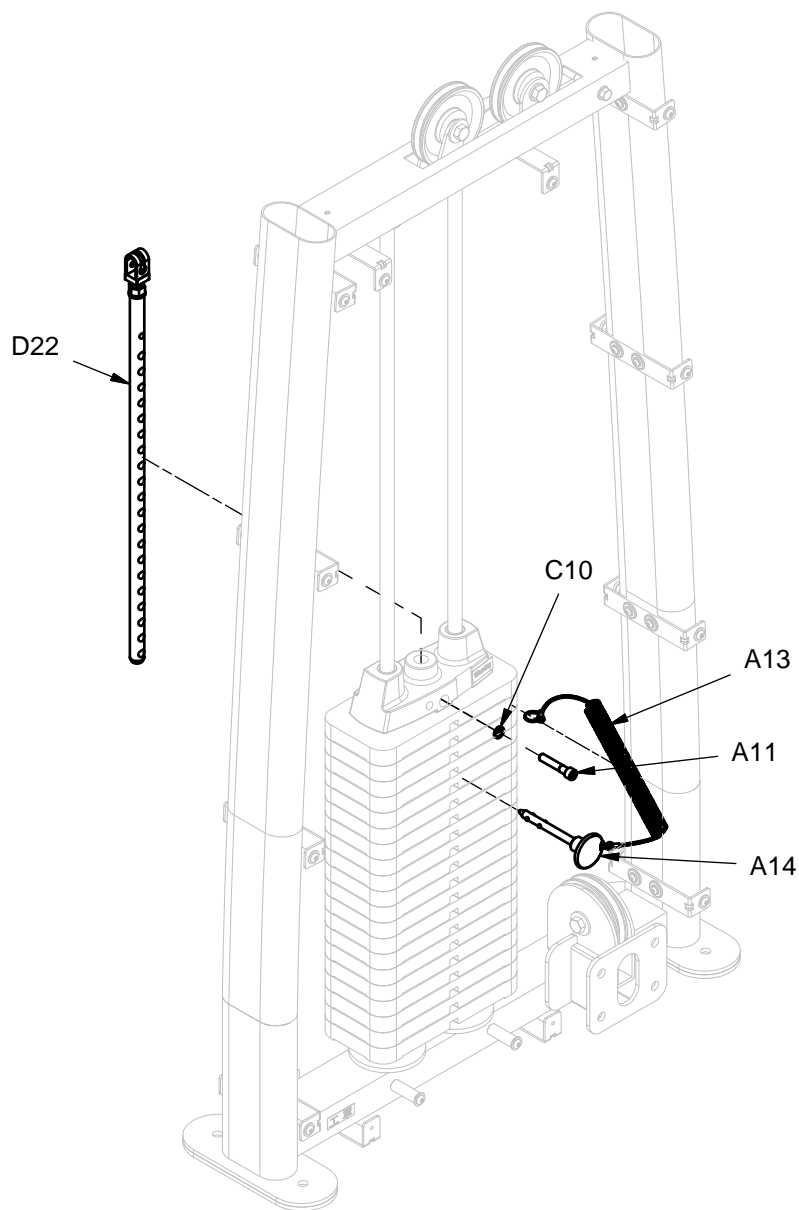
Above shows STEP 7 assembled and completed



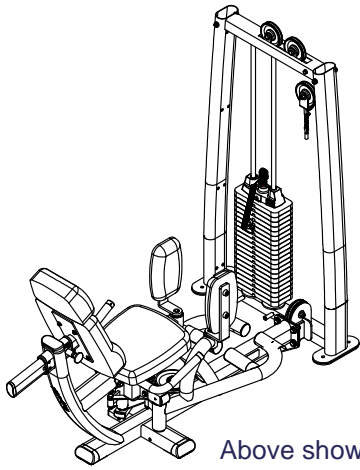
DIOT ASSEMBLY INSTRUCTIONS



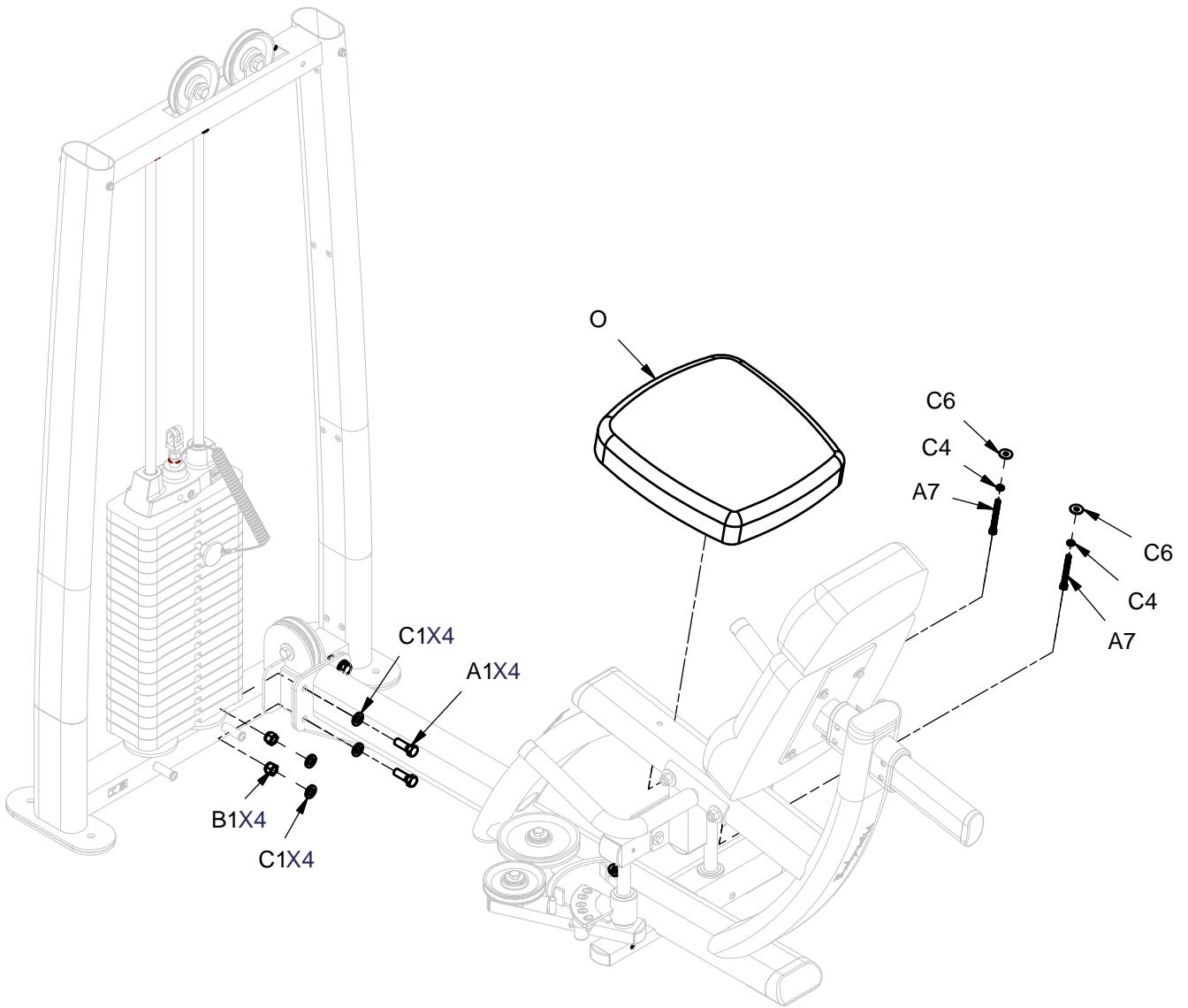
Above shows STEP 8
assembled and completed



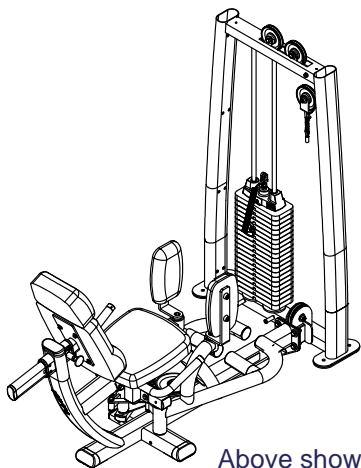
DIOT ASSEMBLY INSTRUCTIONS



Above shows STEP 9 assembled and completed



DIOT ASSEMBLY INSTRUCTIONS

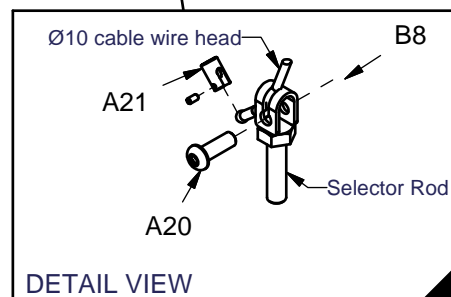
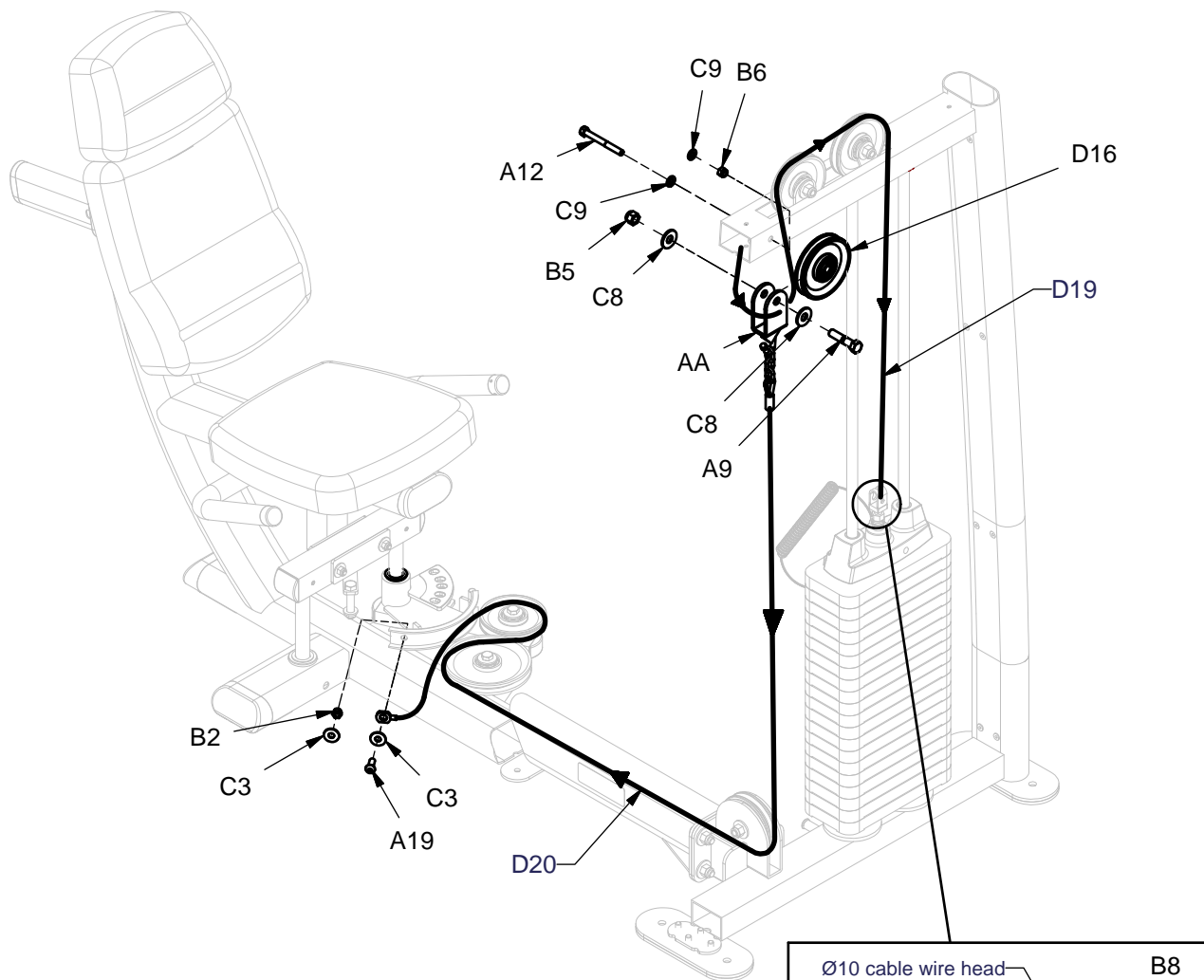


Above shows STEP 10 assembled and completed

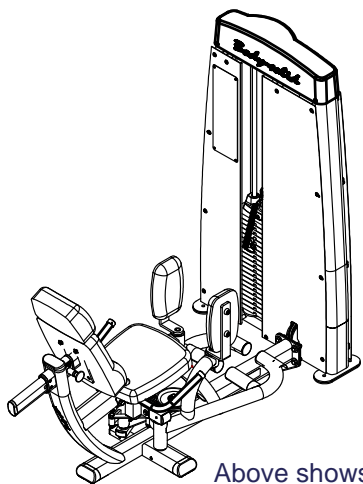
D19



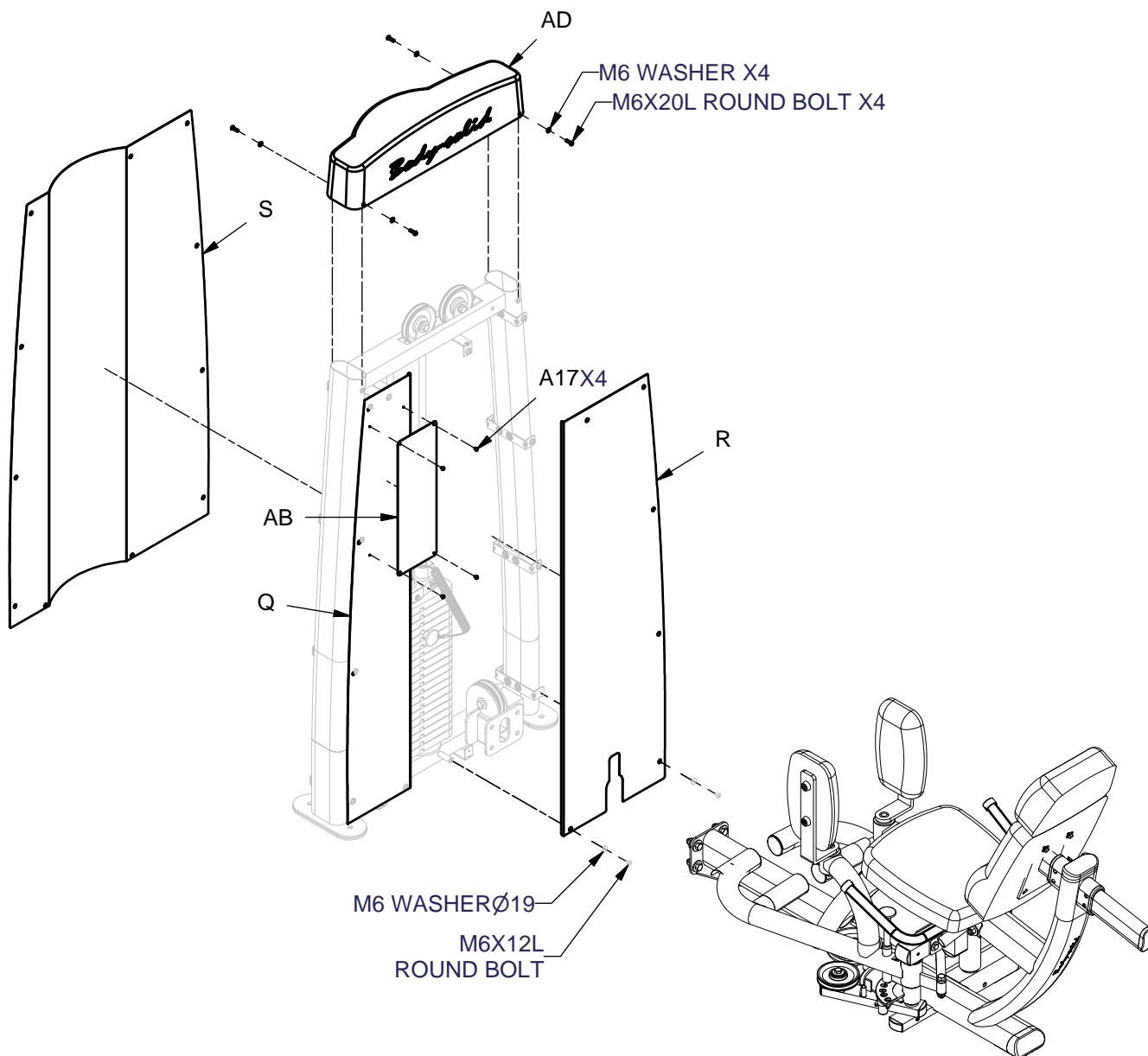
D20



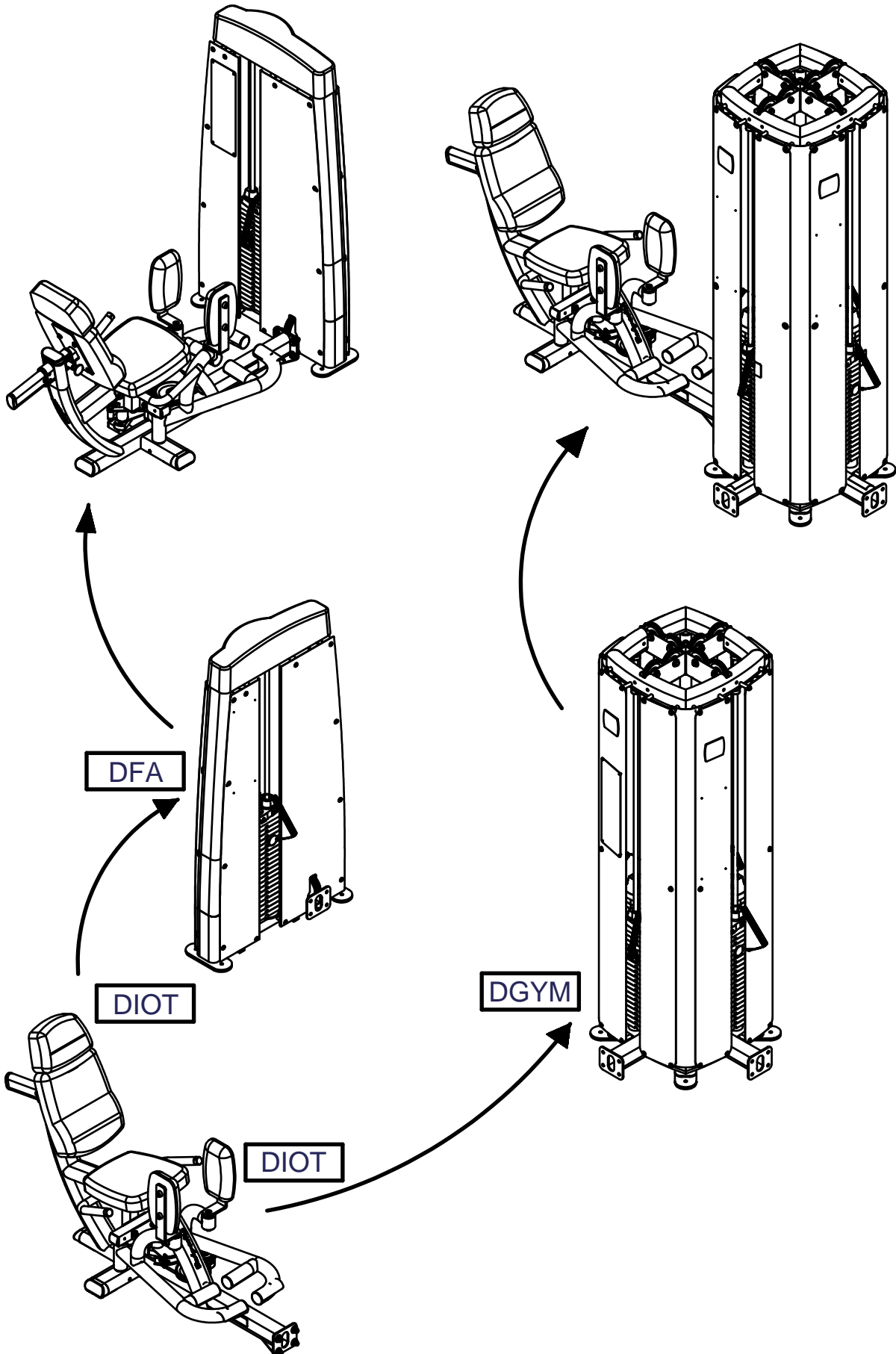
DIOT ASSEMBLY INSTRUCTIONS



Above shows STEP 11
assembled and completed



DIOT ASSEMBLY INSTRUCTIONS



DIOT ASSEMBLY INSTRUCTIONS

Cable to match illustration

